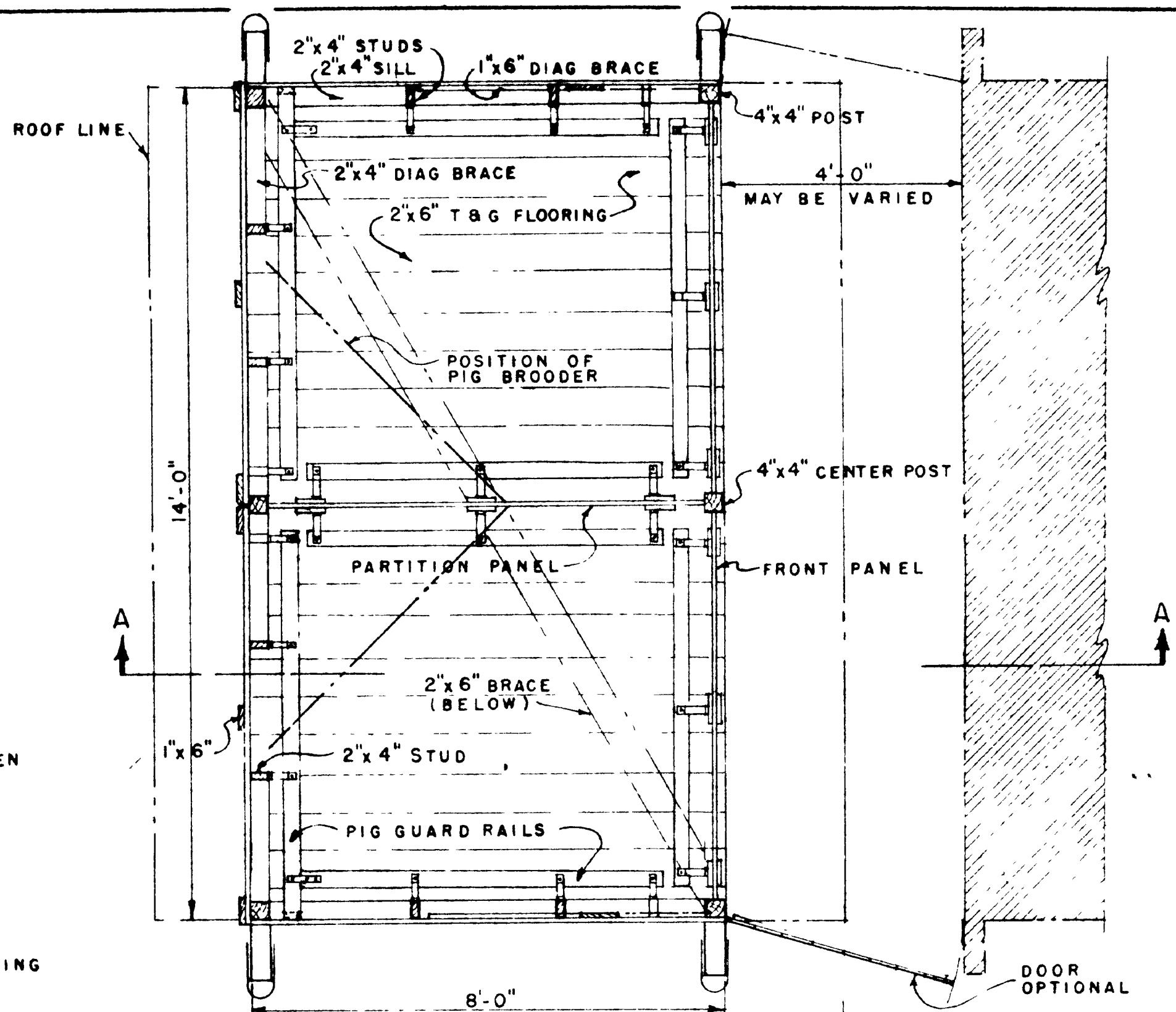
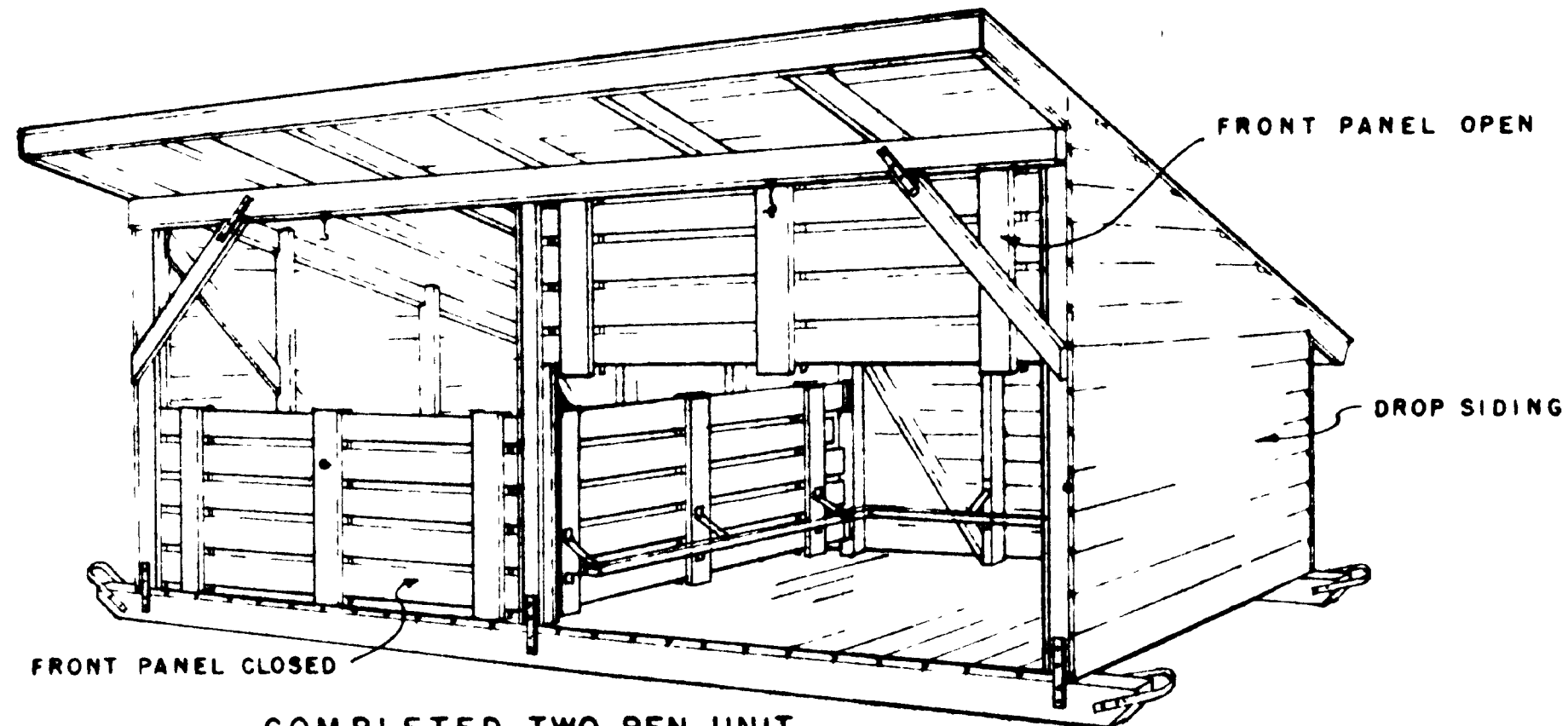


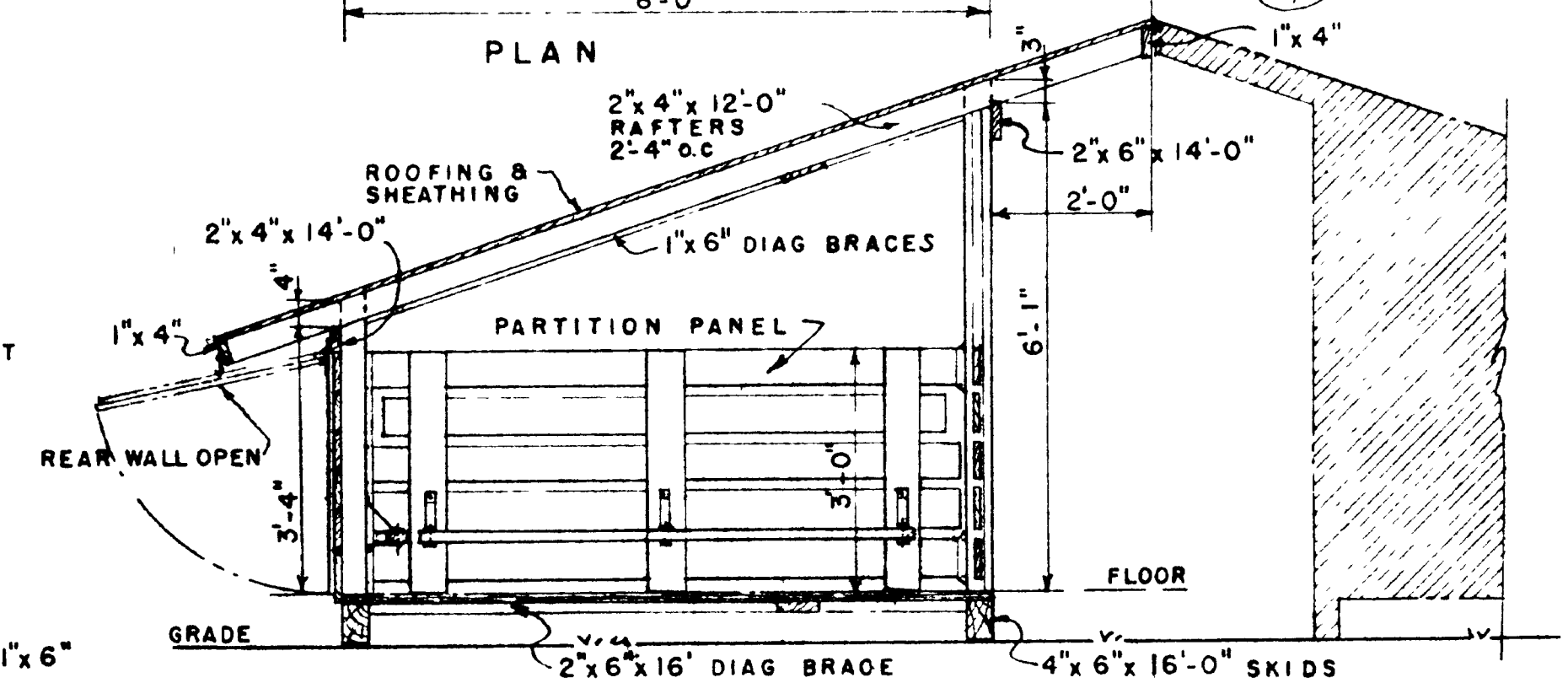
PERSPECTIVE OF FRAMING



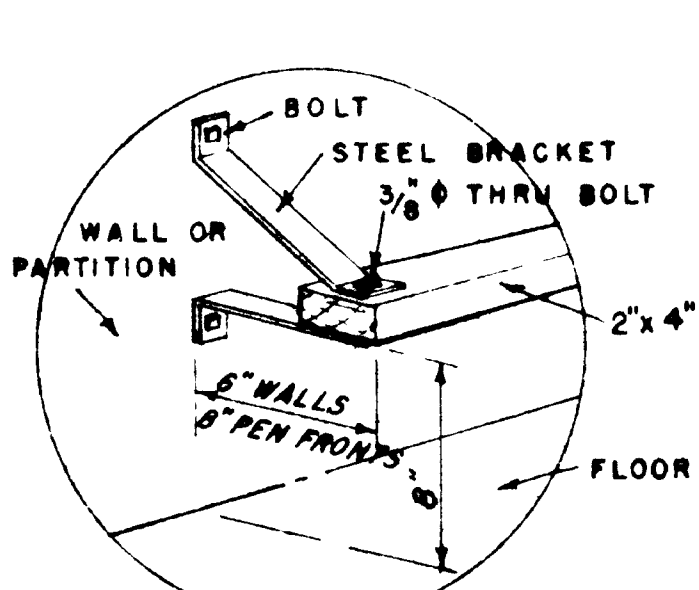
PLAN



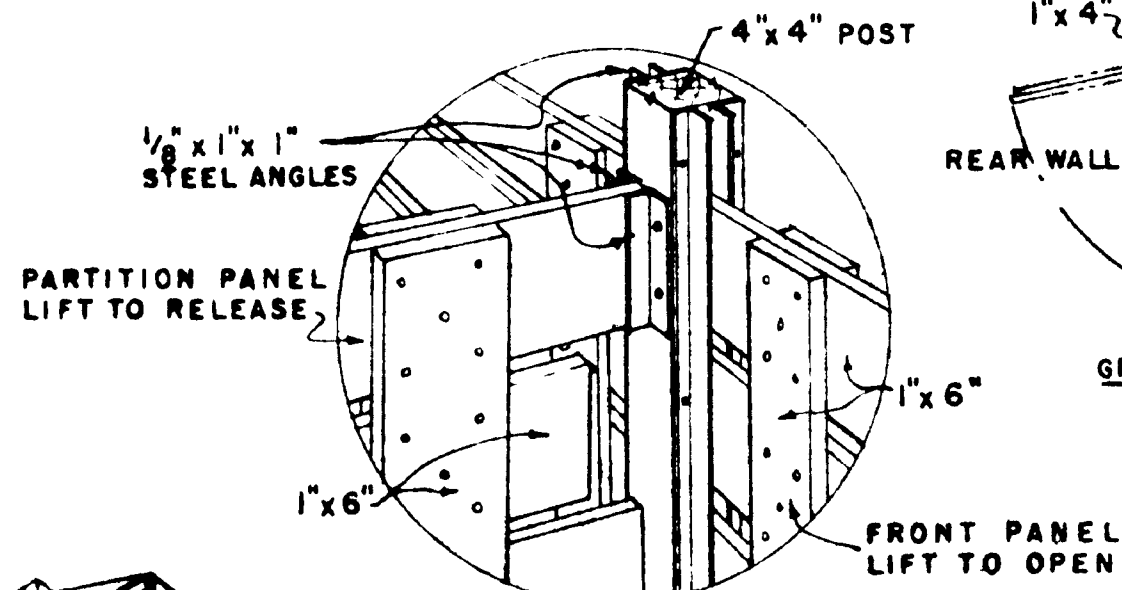
COMPLETED TWO-PEN UNIT  
SHOWING OPERATION OF FRONT PANELS



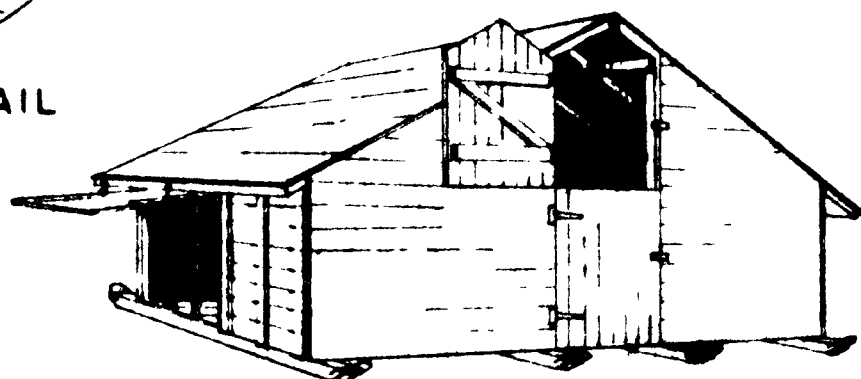
SECTION A-A  
SCALE 1/2" = 1'-0"



GUARD RAIL DETAIL



CENTER POST DETAIL



TWO UNIT FOUR-PEN HOUSE

NOTE USE 55" WIDE SALVAGE ROLL ROOFING OVER SOLID SHEATHING, OR CORRUGATED METAL ROOFING OVER 1"x6" NAILING STRIPS SPACED ACCORDING TO MANUFACTURER'S RECOMMENDATIONS

SKIDS SHOULD BE PRESSURE-TREATED WITH PRESERVATIVE.

FOR DETAILS OF ELECTRIC PIG BROODERS, SEE PLAN NO 5788

COOPERATIVE EXTENSION WORK IN AGRICULTURE AND HOME ECONOMICS  
DEPARTMENT OF AGRICULTURAL ENGINEERING  
UNIVERSITY OF KENTUCKY, LEX., KY.

AND UNITED STATES DEPARTMENT OF AGRICULTURE COOPERATING

**MOVABLE HOG HOUSE**  
(TWO-PEN 8'x14' UNIT)

USDA '54 EX. 5787 SHEET 1 OF 1

REVISED 1952